

# Portable Airfield Light

## AH-PA/EMC



AH-PA/EMC Portable Airfield Light is specially used on permanent airport/heliport where cable power is not convenient or temporary helipad, especially for medivac and other emergency situations.

### Compliance

- ICAO Annex 14 Volume II Heliports 5.3.



### Features

#### Electrical

- Ultra High intensity LED as light source saving power consumption and maintenance, 95% less power than equivalent incandescent light

#### Physical

- Integrated design, enabling a rugged and completely waterproof seal capable of prolonged and deep immersion (IP67).
- Hard anodizing Aluminum housing ensure good UV resistance, shockproof and corrosion proof, anti-corrosion, salt-spray proof
- Rechargeable lithium ion batter inside for power the LED
- Charging port besides
- Battery status LCD screen on top
- Handle for easy move

#### System design

- ON/OFF button located beside base

#### Optional

- Built in photocell
- Wireless remote control (433MHZ, 3KM effective distance)
- NVG - compatible infrared (IR) LED
- Air-to-ground Control(VHF)
- Carry case(Standard for 8 light in one case, others are adjustable)

### Application

- Airport, Touchdown and Lift- off area ( TLOF) , Final Approach and Take- off area ( FATO) , Taxiway lighting, Runway edge lighting, Portable or expedited airfield lighting, Threshold lighting
- Helipad taxiway
- Emergency operations



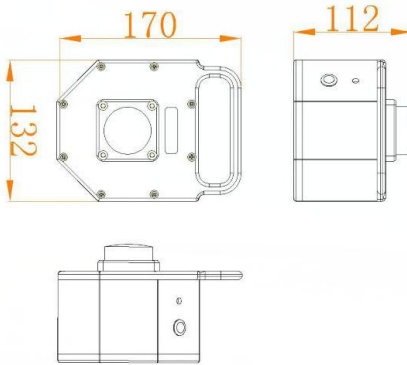
## APPLICATION



# Portable Airfield Light

## AH-PA/EMC

### Dimension



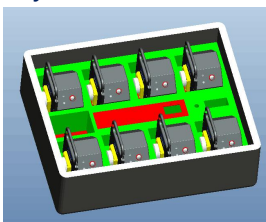
*Wireless Remote Controller  
(Effective distance 3km,  
Frequency: 433MHZ)*



*Air-to-ground Radio Control(VHF)*



*Carry case for 8 AH-PA/EMC*



### SPECIFICATIONS

### AH-PA/EMC Portable Airfield Light

#### Light Characteristics

Light Source	3 ultra high intensity LED
Available Colors	Red, Green, Yellow, White, Blue,
Flash Characteristics	Steady(Flashing mode is optional)
Operation Mode	24hours working after switched ON
LED Life Experience(hours)	>100,000

#### Electrical Characteristics

Operating Voltage	12
Circuit Protection	Integrated

#### Battery Characteristics

Battery type	Lithium ion battery
Nominal Voltage (V)	12V/16AH
Battery Service Life	Average 3 years
Autonomy (hours)	60hours

#### Physical Characteristics

Lamb Body Material	Hard anodizing Aluminum Alloy
Lens Material	Acrylic
Overall Size (mm)	170×132×112
Weight(kg)	2.4
Product Life Expectancy	Average 5 years

#### Environmental Factors

Ambient Temperature(°C)	-55~70
Humidity	0~100%
Wind Speed	80m/s
Waterproof	IP67

#### Compliance

ICAO	Annex 14 Volume II Heliports 5.3.
------	-----------------------------------

#### Optional

Wireless remote control
NVG - compatible infrared (IR) LED
Charger station-Carry case (5position)
Built-in photocell
Air-to-ground Control(VHF)
Carry case